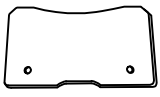
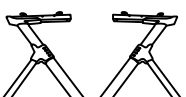





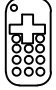

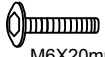


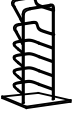


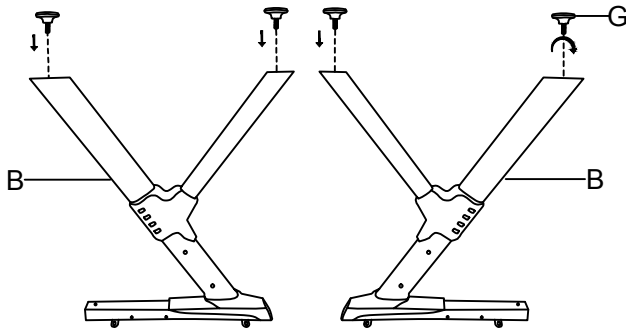
# ASSEMBLY INSTRUCTION

## PART LIST

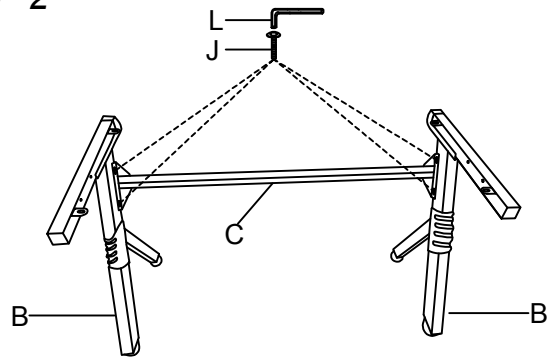
|   |  |  |  |   |  |  |
|---|--|--|--|---|--|--|
| <b>A</b><br><br>desktop 1 pc           | <b>B</b><br><br>desk leg 2 pcs        | <b>C</b><br><br>down crosspiece 1 pc  | <b>D</b><br><br>top crosspiece 1 pc   | <b>E</b><br><br>water bottle frame 1 pc | <b>F</b><br><br>earphone frame 1 pc | <b>G</b><br><br>foot nail 4 pcs |
| <b>H</b><br><br>remote controller 1 pc | <b>I</b><br><br>M6X14mm<br>bolt 4 pcs | <b>J</b><br><br>M6X20mm<br>bolt 8 pcs | <b>K</b><br><br>M6X14mm<br>bolt 2 pcs | <b>L</b><br><br>Allen Key 1 pc          | <b>M</b><br>                        |  |

## ASSEMBLY

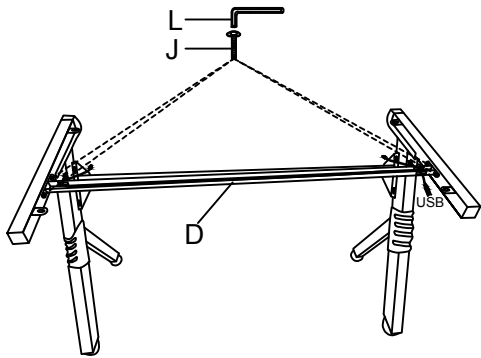
### STEP 1



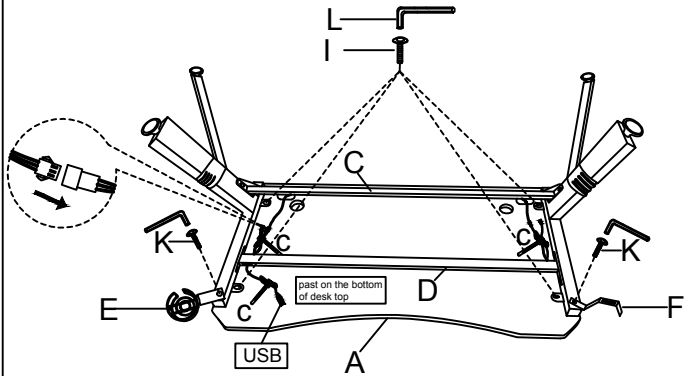
### STEP 2



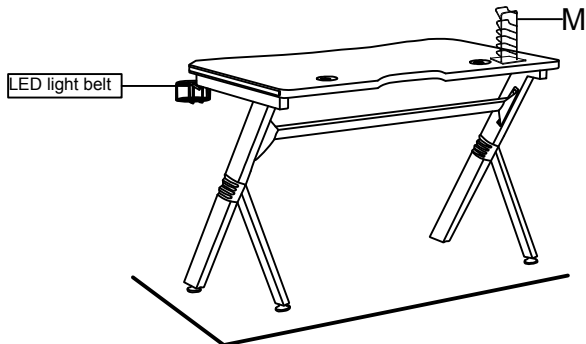
### STEP 3



### STEP 4



### STEP 5



### STEP 6

